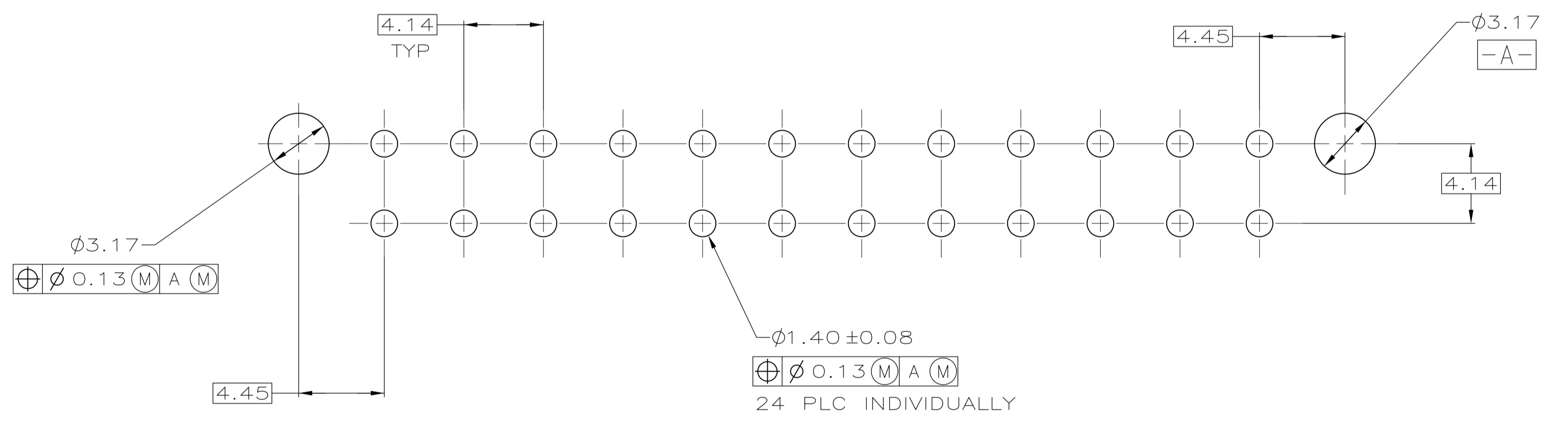
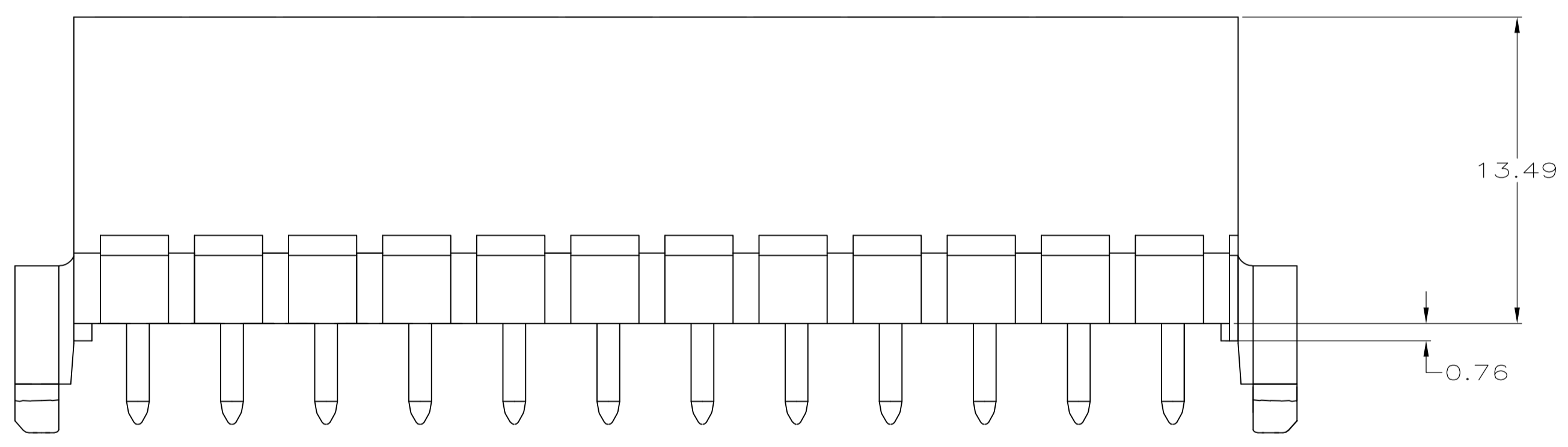
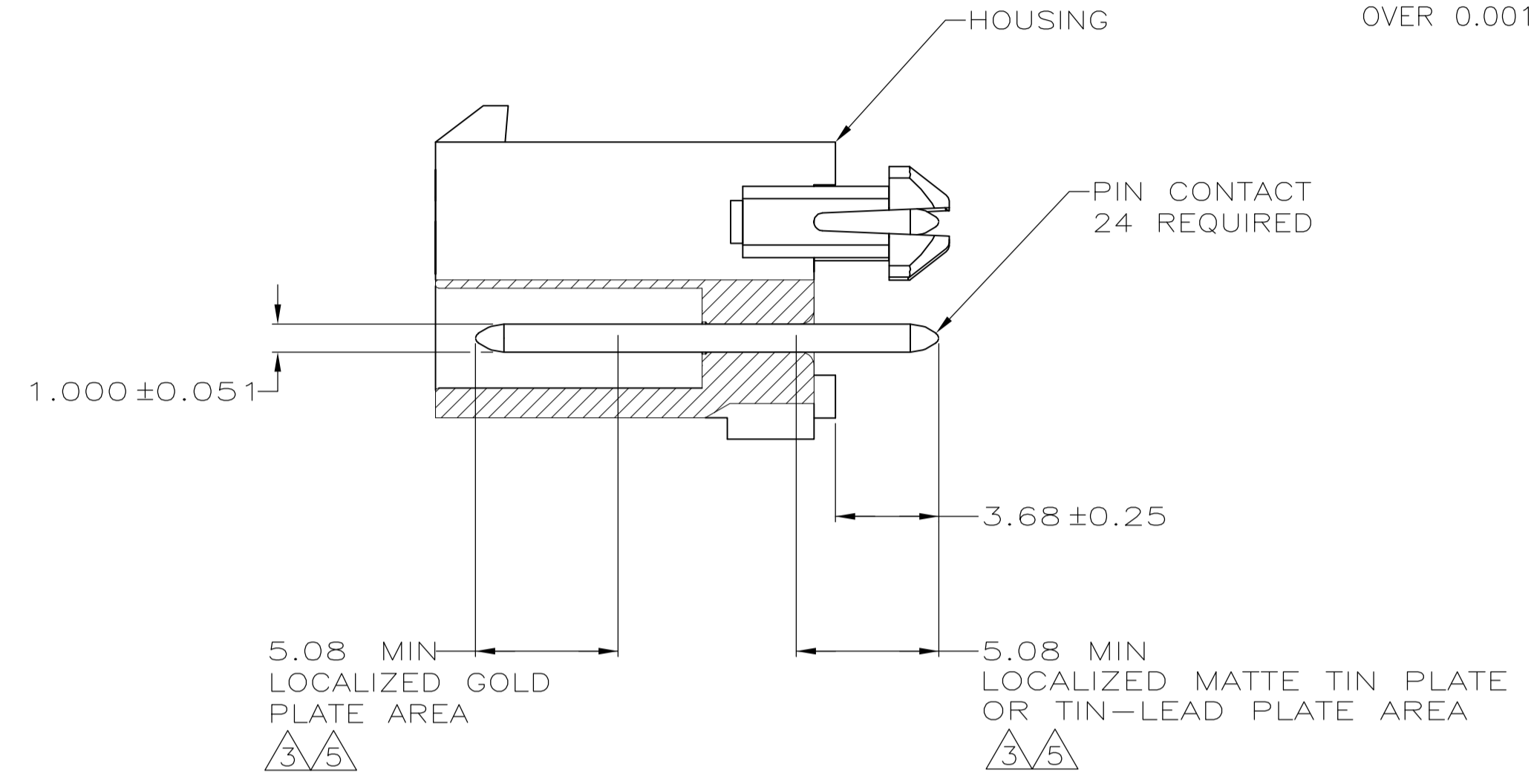
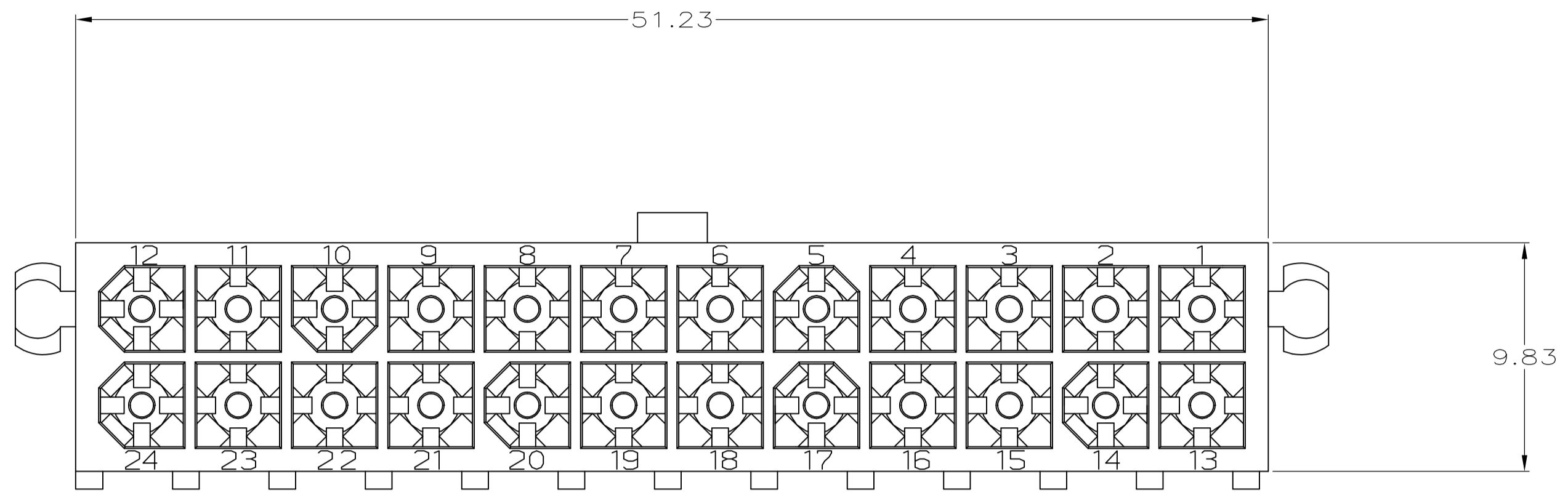
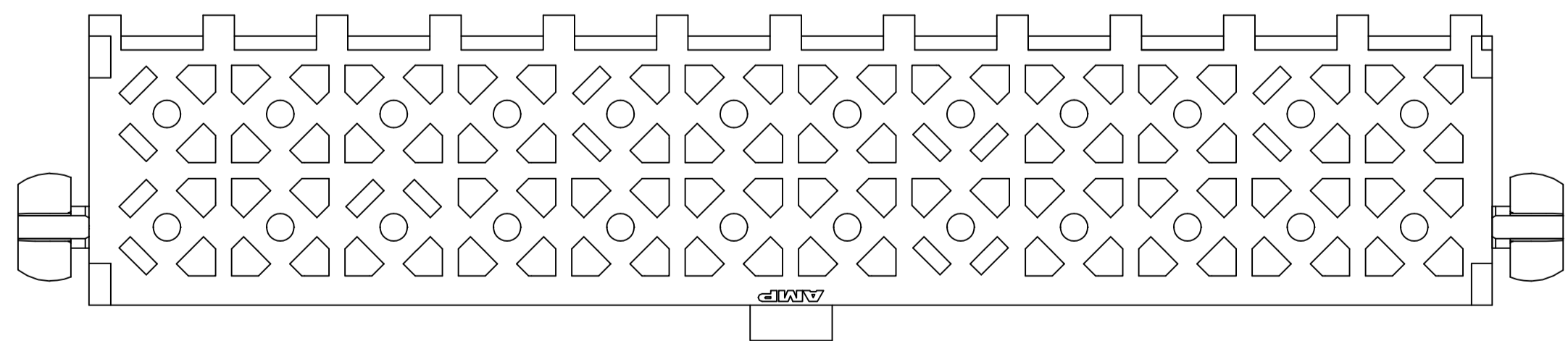


- PINS TO COMPLY WITH AMP SOLDERABILITY SPEC. 108-11-3.
- 0.00381 MIN MATTE TIN LEAD OVER 0.00127 MIN NICKEL.
- 0.00076 MIN GOLD PLATE IN THE LOCALIZED PLATE AREA, 0.00381 MATTE TIN LEAD IN THE LOCALIZED PLATE AREA, BOTH OVER 0.00127 MIN NICKEL.
- 0.00381 MIN MATTE TIN OVER 0.00127 MIN NICKEL.
- 0.00076 MIN GOLD PLATE IN THE LOCALIZED PLATE AREA, 0.00381 MATTE TIN IN THE LOCALIZED PLATE AREA, BOTH OVER 0.00127 MIN NICKEL.



RECOMMENDED MOUNTING HOLE PATTERN FOR 1.57 THICK P.C. BOARD



| | | |
|---------------------------------|---------------------|----------------------------|
| BRASS, GOLD Δ | NYLON, 94V-0, WHITE | 1-794072-1 |
| BRASS, TIN Δ | NYLON, 94V-0, WHITE | 1-794072-0 |
| BRASS, GOLD Δ | NYLON, 94V-0, WHITE | 794072-2 |
| BRASS, TIN LEAD Δ | NYLON, 94V-0, WHITE | 794072-1 |
| PIN CONTACT MATERIAL AND FINISH | | HOUSING MATERIAL AND COLOR |
| | | PART NUMBER |

THIS DRAWING IS A CONTROLLED DOCUMENT.

| | | |
|---|--|--|
| DIMENSIONS: mm TOLERANCES UNLESS OTHERWISE SPECIFIED: 0. PLC ± - 1. PLC ± - 2. PLC ± 0.13 3. PLC ± - 4. PLC ± - ANGLES ± - | DIMS: S CARPENTER 07JUN05 CHK: R JONES 6/7/05 APVD: R JONES 6/7/05 NAME: R JONES PRODUCT SPEC: - APPLICATION SPEC: - WEIGHT: - CUSTOMER DRAWING | NAME: R JONES HEADER ASSEMBLY, 24 CIRCUIT, DOUBLE ROW VERTICAL MINI UNIVERSAL MATE-N-LOK SIZE: A1 CASE CODE: 00779 DRAWING NO: 794072 SCALE: 5:1 SHEET: 1 OF 1 REV: F |
|---|--|--|

STE TE Connectivity